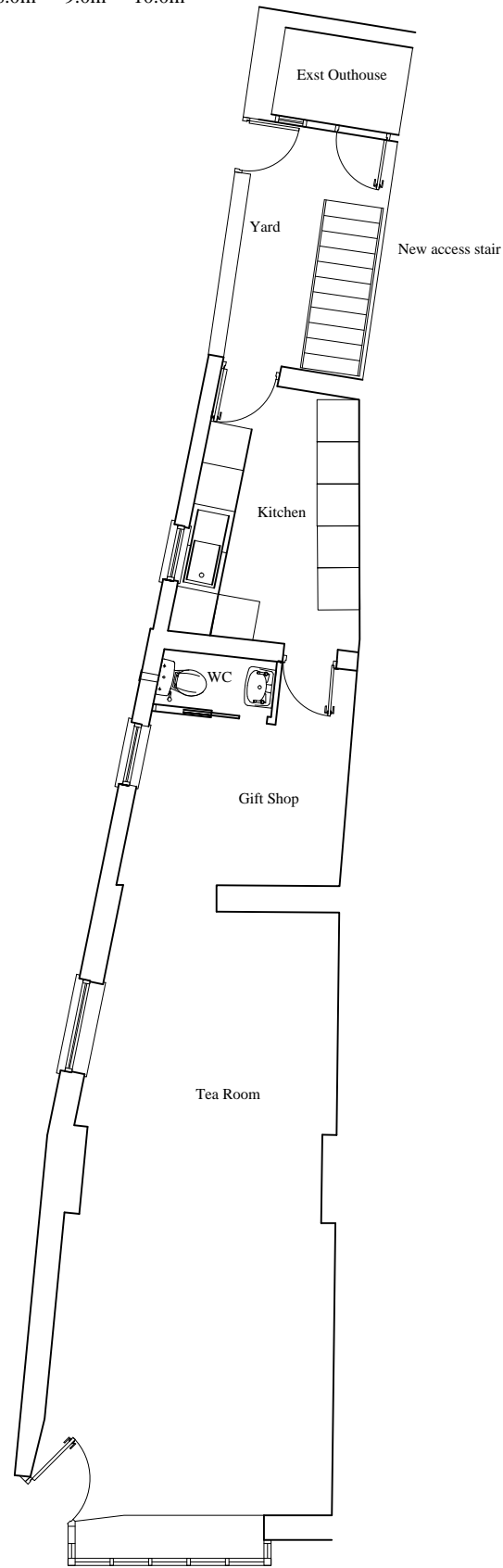
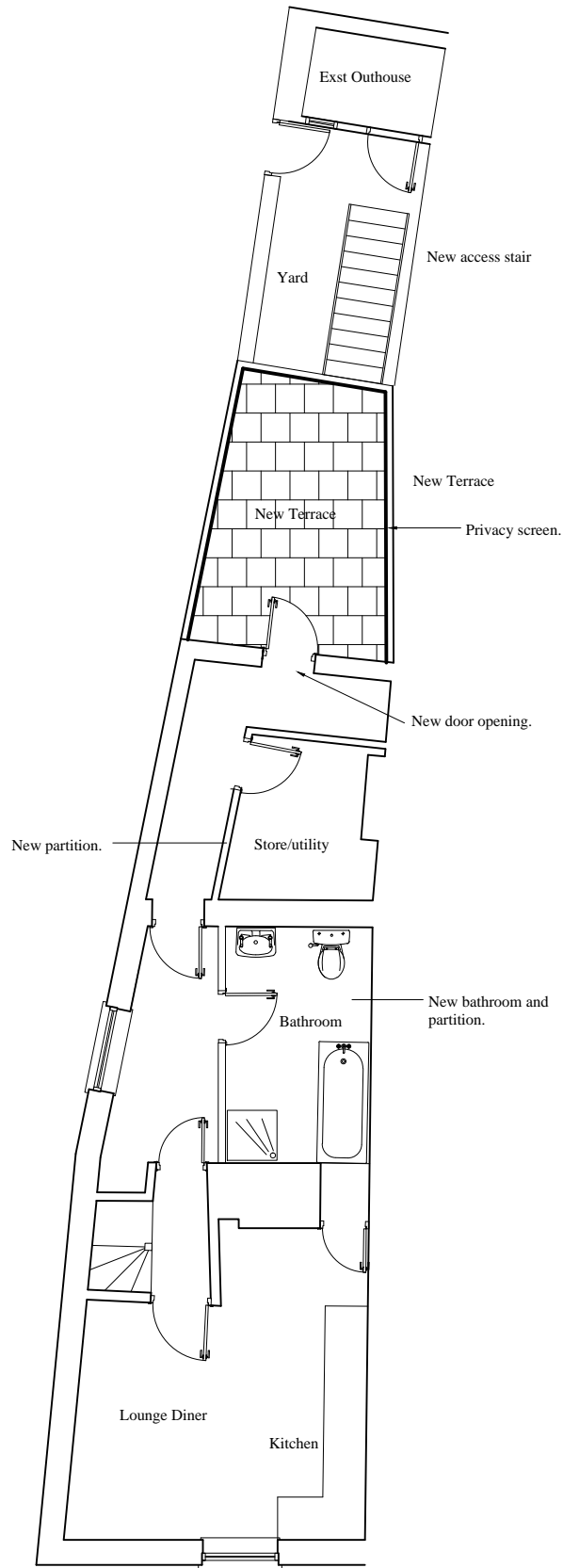


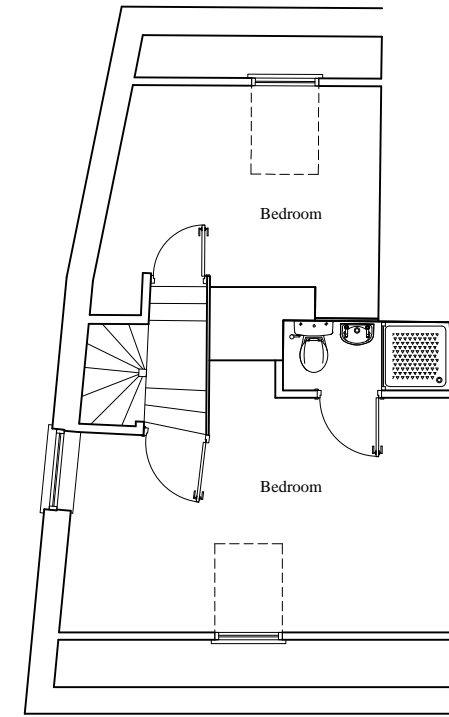
1.0m 2.0m 3.0m 4.0m 5.0m 6.0m 7.0m 8.0m 9.0m 10.0m



PROPOSED
GROUND FLOOR PLAN



PROPOSED
FIRST FLOOR PLAN



PROPOSED
SECOND FLOOR PLAN

AMENDED

project **PROPOSED TEA ROOM AND FLAT
BOSUNS STORE
9 HIGH STREET QUEENBOROUGH
SHEPPEY
KENT ME11 5AA**

client **MR & MRS S.FOWLE**

scale **1:100 @ A3**

date **APRIL 2020**

drawing no. **HSQ1932.04A**

drawing title **FLOOR PLANS PROPOSED**

amendments

WYNDHAM JORDAN ARCHITECTS
PAT JORDAN (HONS) DIP ARCH (HONS) RIBA
 CHARTERED ARCHITECT
 Heron House 8 Faversham Reach, Faversham, Kent ME13 7LA
 Telephone: 01795 530 697 Mobile: 07961 240 541